

CLAMPING ELEMENTS | MANUAL

SERIES HK

▶ PRODUCT ADVANTAGES



- ▶ **broad range of products**
For all common profile rail guides
- ▶ **Tool-free opening and closing (bi-stable)**
By turning the clamping lever
- ▶ **Maintenance free**
Up to 50,000 static clamping cycles

▶ THE BEST PRODUCT FOR YOUR APPLICATION

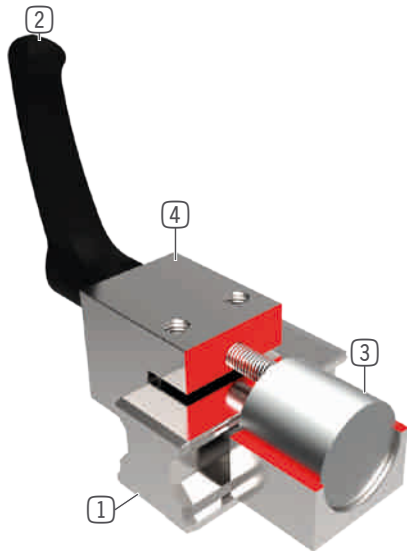
POSIBILIDADES DE USO

- ▶ **Tablets for the carriage**
- ▶ **Adjustable and fixed stops**
- ▶ **Positioning of the clamping elements**

FURTHER INFORMATION

- ▶ **Spacer plate**
In addition, a spacer plate might have to be ordered as height compensation, depending on the height of the rail carriage (dimension D).
- ▶ **Special variants on request, e.g.**
 - Operation using DIN 912 Allen screws
 - Extended clamping lever
 - made of stainless steel

► BENEFITS IN DETAIL



- ① **Profile rail guide**
 - Available for all common profile rail guides
- ② **Clamping lever made from plastic**
 - Freely adjustable (release by lifting)
- ③ **Clamping jaw**
 - The floating bearings guarantee symmetrical application of force
- ④ **Housing**
 - chemically nickel plated steel

► INFORMATION ON THE SERIES

TECHNICAL DATA

Rail size	12-100 mm
Holding force	1200-2000 N
Fastening torque clamp lever	4-22 Nm
Spring storage	inexistent
PLUS connection	No
Static clamping cycles (B10d value)	up to 50 000
Dynamic braking cycles	not suitable
Operation	manual
Operating temperature	-10 ... +70 [°C]



► Technical Information

All information just a click away at: www.zimmer-group.de

Find data, illustrations, 3D models and operating instructions for your installation size using the order number for your desired model.

Quick, clear and always up-to-date.

► Selection guide for clamping and braking elements

Whatever the possible application – here, you'll find the right product.

Easy selection of the right element for any rail-carriage combination: www.zimmer-group.de/de/plr.