

CLAMPING AND BRAKING ELEMENTS | HYDRAULIC SERIES KBH

▶ PRODUCT ADVANTAGES



- ▶ **broad range of products**
For all common profile rail guides
- ▶ **Energize to close (NO)**
Closing with pressure
- ▶ **extremely durable**
Up to 10 million static clamping cycles

▶ THE BEST PRODUCT FOR YOUR APPLICATION

APPLICATION SCENARIOS

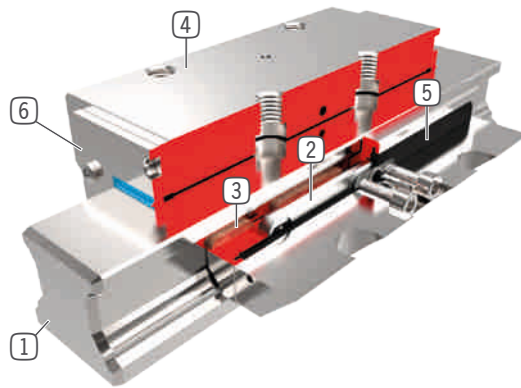
- ▶ **Machine table clamping of heavy cutting work centres**
- ▶ **Clamping and braking of heavy handling systems**
- ▶ **Braking**

FURTHER INFORMATION

- ▶ **Spacer plate**
In addition, a spacer plate might have to be ordered as height compensation, depending on the height of the rail carriage (dimension D).
- ▶ **Special variants on request, e.g.**
With additional hydraulic connection (from above, from the front)

► BENEFITS IN DETAIL

- ① **Profile rail guide**
- Available for all common profile rail guides
- ② **Return spring**
- Interlocked integration in the jaws
- ③ **Clamping jaws and brake shoes**
- Pressed at the free surfaces of the profile rail guide
- ④ **Housing**
- chemically nickel plated steel
- ⑤ **Membran**
- For pressurization up to 150 bar
- ⑥ **Scraper**
- Can also be ordered as an option



► INFORMATION ON THE SERIES

TECHNICAL DATA

Rail size	25-125 mm
Holding force	2200-46000 N
Allowable operating pressure	100-150 bar
Allowable point pressure	110-160 bar
Spring storage	inexistent
PLUS connection	No
Static clamping cycles (B10d value)	up to 10 million
Dynamic braking cycles	up to 2000
Operation	hydraulic
Operating temperature	-10 ... +70 [°C]



► Technical Information

All information just a click away at: www.zimmer-group.de

Find data, illustrations, 3D models and operating instructions for your installation size using the order number for your desired model.

Quick, clear and always up-to-date.

► Selection guide for clamping and braking elements

Whatever the possible application – here, you'll find the right product.

Easy selection of the right element for any rail-carriage combination: www.zimmer-group.de/de/plr.