

INDUSTRIAL SHOCK ABSORBERS POWERSTOP

THREAD M04X0.5

► SERIES

PowerStop®

MINI ENERGY



The slender

- **Mini Energy pressure max. (abs.)** 10 [bar] ► **Force in end position max.** 0.2 [kN]
- **Angle of Impact max.** 2 [°] ► **Material** Stainless steel
- **Max. piston return time** 0.15 [s] ► **Material fixed stop** Ecobross
- **Permitted temperature range** -10 ... +70 [°C] ► **PWIS-free** Yes
- **Organic oil (biodegradable)** H1-certified ► **RoHS compliant** Yes
- **Locknut tightening torque max.** 1 [Nm] ► **REACH compliant** Yes

► TECHNICAL DATA

Design	Series	Thread	Stroke variant	Stroke [mm]	Hardness degree	Impact velocity		Energy absorption max.			Protection	Return force		Head	Version	
						min.	max.	per stroke	per hour	per stroke		min.	max.			
																[m/s]
MINI ENERGY	P	ME	04X05	N	4	H	0,1	1,2	0,8	2.100	0,8	D	1	2	D	-B
						M	0,8	2,2	0,8	2.100	0,8	A	1	2	S	

► HOW TO ORDER CORRECTLY

P ME 04X05 N M D S -B



Product finder

- Calculate shock absorbers quicker
- Clearly arranged selection guide
- Smart solution – available on mobile devices

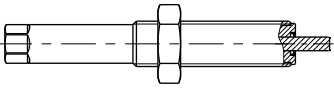
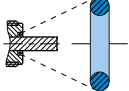
www.zimmer-group.de/en/pdti

Example order no.

PowerStop Mini Energy 04X05

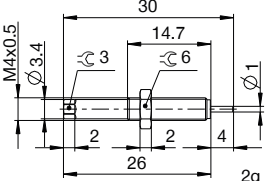
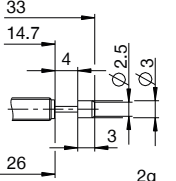
- Stroke variant: standard (N)
- Hardness degree: medium (M)
- Protection: without (D)
- Head: steel head (S)

► PROTECTION

no protection	Wiper (NBR)
D -B	A -B
	
in a clean environment	against liquid, oil, ...

► TECHNICAL DRAWINGS – STANDARD STROKE

N -B

	no head	with steel head
	D -B	S -B
MINI ENERGY		



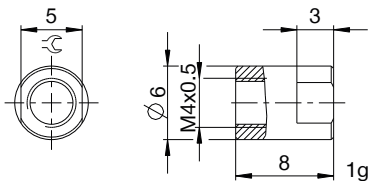
INDUSTRIAL SHOCK ABSORBERS POWERSTOP

THREAD M04X0.5

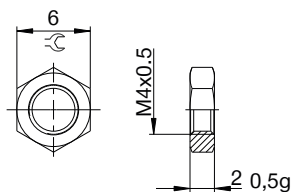
▶ ACCESSORIES

Pos.	Order no.	Accessories	Remarks
①	PAH04X05-A	Stop sleeve	Including 1x PVM04X05-A
②	PVM04X05-A	Stainless steel locknut	Included with the industrial shock absorber.
③	PDD04X05-A	Pressure chamber seal	Recommended fixation with PVM04X05-A. Seal must be in full contact on both sides.

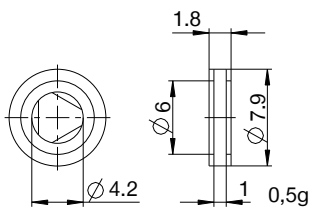
①



②



③



▶ CLASSIFICATION

P ME 04X05 N M D S -B

Design

P Industrial shock absorbers PowerStop

Series

ME Mini Energy

SE Standard Energy

HE High Energy

AE Adjustable Energy

Thread

04 Thread nominal diameter

X

05 Thread pitch (factor 10)

Stroke variant

N Standard stroke

L Long stroke

V Extra long stroke

Hardness degree

H Hard (0.1 - 1.2 m/s; Adjustable Energy: 0.1 - 5 m/s)

M Medium (0.8 - 2.2 m/s)

S Soft (1.8 - 3.5 m/s)

W Supersoft (3 - 5 m/s)

Protection

D no protection

F Felt ring

A Wiper (NBR)

B Bellow (TPE)

Head

D no head

S with steel head

K with plastic head

Version

-A Versioning from a to z